

WiFi Assurance Program

Custom Network Design for

Project Name

Prepared By

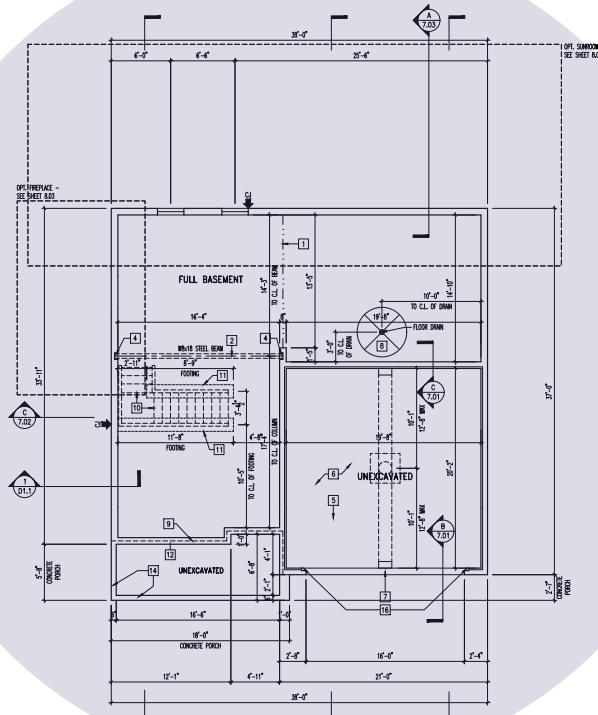
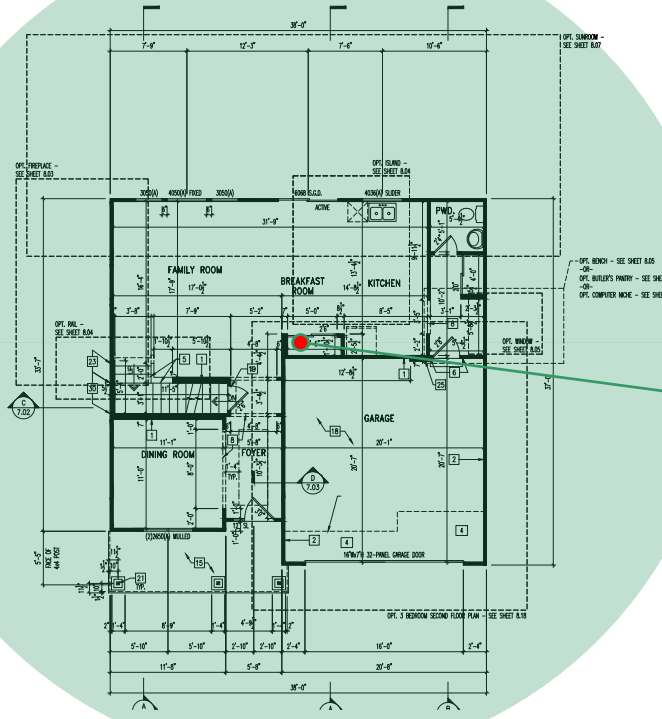
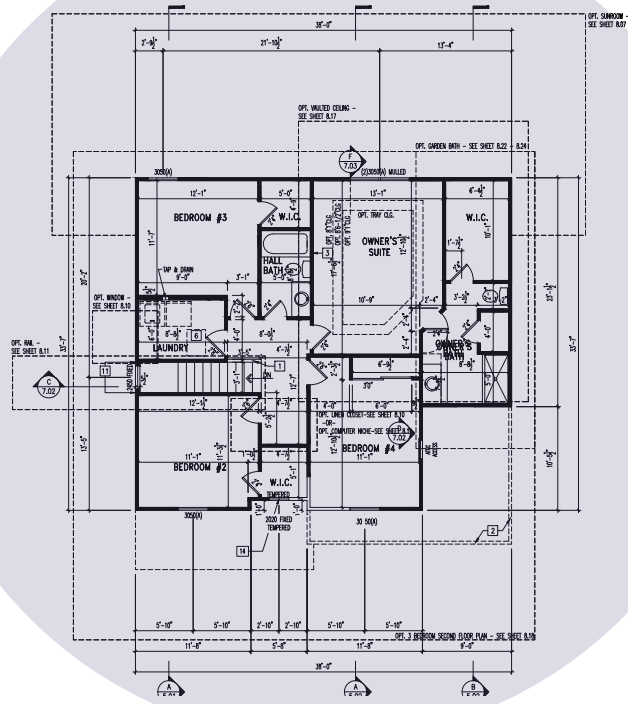
Description

Model # Quantity

OnQ 30" Plastic Enclosure with Hinged Door ENP3050 1

QnQ Universal Mounting Plate AC1040 1

Wireless Router 2.4/5GHz AC1200 w/ built-in Wireless Controller XWR-1200 1



- (R) XWR-1200
- 4PORT WiFi
- Kitchen Pantry
- Mounting Plate
- Structured Wiring

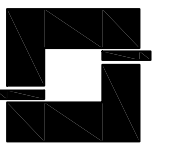


- (R) Router
- (S) Switch
- (AP) Wireless Access Point
- (WC) Wireless Controller

Note: 2.4 GHz WiFi coverage is guaranteed throughout the livable/ conditioned portions of the structure. Varying building materials and obstructions will cause significant degradation in the WiFi signal external to the structure. Thusly this map is not representative of actual external coverage to the home or structure and not covered under our WiFi guarantee.

AV

legrand®



LUXUL

PROJECT

Saxon

REVISIONS

NO.	DESCRIPTION	DATE
XXXv1	Design for Bid	1/6/21

Basement, First, & Second Floor / WIFI Coverage

CUSTOM INTEGRATOR

Drees Homes

PROJECT #

0002114

TERRITORY SALES MANGER

David Glascock

DESIGNED BY

Andres Olvera

A-1

The Best Choice for Your Smart Home Network

With the dramatic increase in everyday connected devices, having a powerful network that manages the flow of audio, video, and data has become critical. With that in mind, Luxul:

- Is engineered specifically to support smart home technology networks that smoothly stream video for entertainment and security; audio for pitch-perfect sound; and accurate data for thermostats, shades, and lighting control.
- Is built for professional installers who know how to configure and optimize networks.
- Provides a network that can handle the everyday demand on bandwidth and is built with the horsepower to run today's technology and beyond.
- Wireless coverage everywhere you need it, with the ability to seamlessly move your device between Access Points without dropping off the network.

Warranty

Luxul offers free software updates plus a three-year hardware warranty on all Luxul network products when the network components are purchased from and installed by an Authorized Luxul Dealer.



Internet protection for your home buyers

Provide the added benefit of content management to your home buyers with Router Limits, built-in to Luxul Epic routers. With Router Limits, home owners are able to set boundaries on what websites are off limits, what times the Internet should be available, and track browsing history.



Manage Screen Time

Set Internet access schedules that fit the needs of each person. For example, filter social media for employees during the workday, or shut off the kids' access to the Internet completely during dinner and at bedtime.



Filter Content

An extensive library of filters include categories like Games, Social Media, and Offensive Content, as well as popular sites and apps like Facebook, Netflix, and Snapchat. Filters can be customized to your exact needs.



Track Browsing History

View web use and browsing history data right at your fingertips. Now you can see what's happening on your network, even when you're not there.

Increased Security Measures on Luxul Equipment

As of January 1, 2020, we've added additional security measures to our installation process. You may have already experienced this new setup; hopefully the information below will add clarity for you.

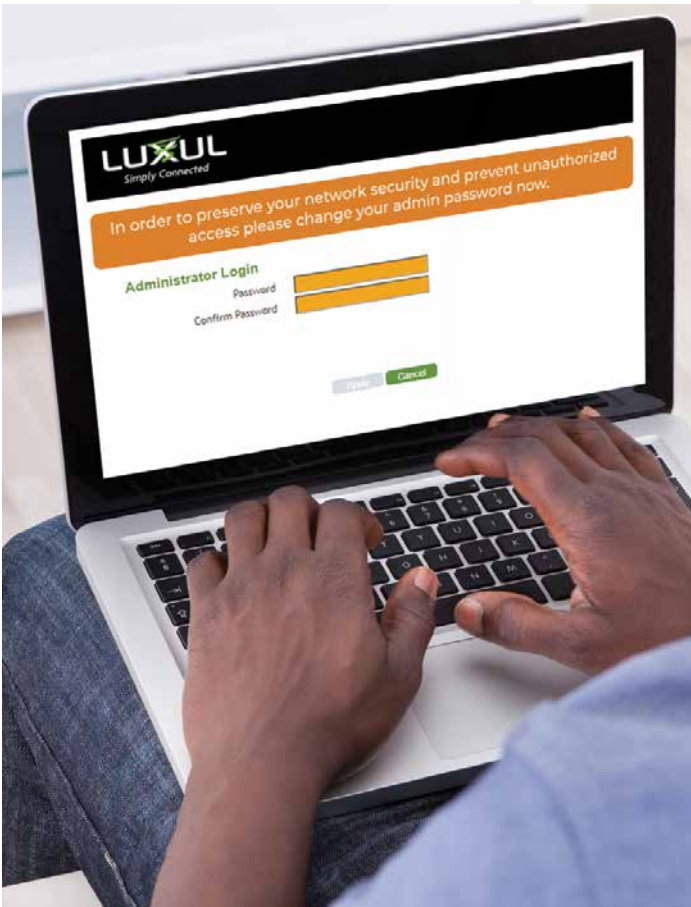
UPDATED SSID PASSPHRASE:

We've changed our SSID passphrase, which we believe will assist in providing an added level of protection for your and your clients' data. This updated passphrase can be found on the Quick Install Guide of your product or on product label on some products.

Please make note of this important update and make sure your techs are also aware!

PASSWORD UPDATE:

Because one of our highest priorities is making sure yours and your clients' information is kept safe, we're now RE-QUIRING an update to the password after you initially type the default credentials in during installation. So when you see the screen at left, be aware this is a normal step in our new process, and it exists to keep you and your clients safe.



Sales

P: 801-822-5450
E: sales@luxul.com

Technical Support

P: 801-822-5450
E: support@luxul.com
For support chat go to: luxul.com

View Luxul's Privacy policy at:
<https://www.luxul.com/about-us/legal/privacy-policy.aspx>

Copyright and Trademark Notices

No part of this document may be modified or adapted in any way, for any purposes without permission in writing from Luxul. The material in this document is subject to change without notice. Luxul reserves the right to make changes to any product to improve reliability, function, or design. No license is granted, either expressly or by implication or otherwise under any Luxul intellectual property rights. An implied license only exists for equipment, circuits and subsystems contained in this or any Luxul product.

© Copyright 2020 Legrand AV Inc. All rights reserved. The name Luxul, the Luxul logo, the Luxul logo mark and Simply Connected are all trademarks and or registered trademarks of Legrand AV Inc.

All other trademarks and registered trademarks are property of their respective holders.

Luxul Easy Setup App

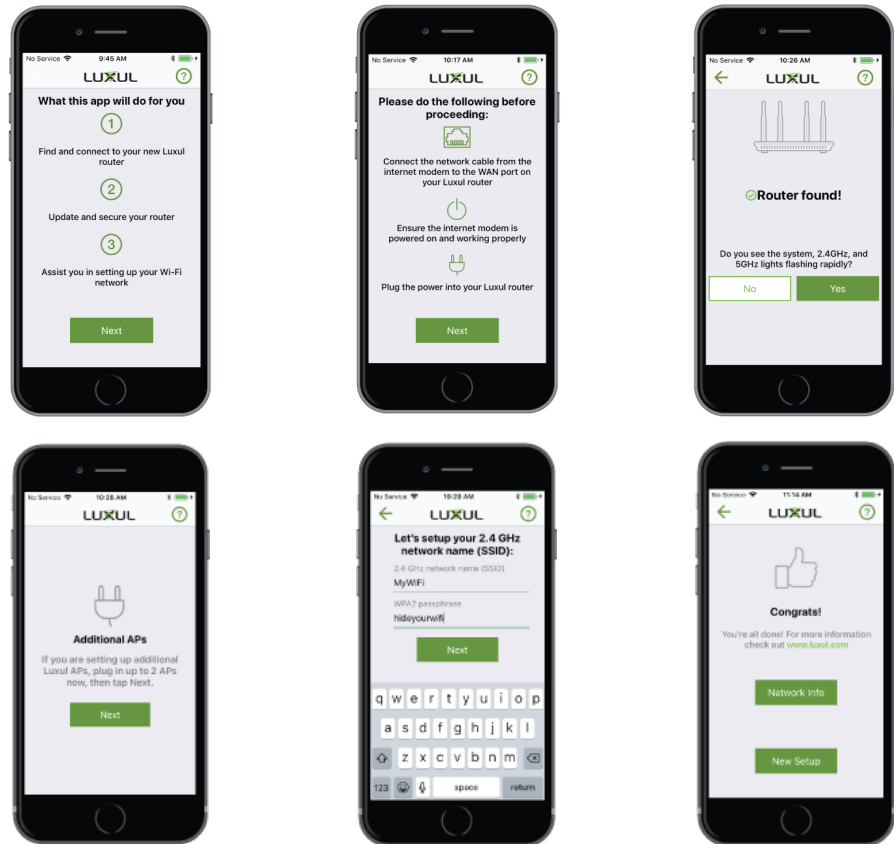
Quickly and easily setup a basic Luxul network, all from the ease of your phone

WHAT THIS PRODUCT DOES:

The Easy Setup App for iPhone and Android mobile devices allows dealers to quickly and easily install a Luxul wireless router while also ensuring the essential settings are properly configured, resulting in a more secure and effective network for end customers. The app allows you to discover the wireless router, update to the latest firmware, set the administrator password, set the wireless SSID and passphrase for both the 2.4GHz and 5GHz networks, and add up to 2 additional access points to the router's embedded controller.

FEATURES:

- ▶ Install a Luxul wireless router and up to 2 wireless access points
- ▶ Ensure properly configured network
- ▶ Use from mobile phone
- ▶ Free download



REQUIREMENTS

Minimum System Requirements

	Android	iOS
Minimum Mobile OS Requirement	Android 6.0 (Marshmallow) or newer	iOS 11 or newer
Phone	Most Android phones running 6.0 or newer	iPhone 5s or newer

Compatible Luxul Products

	Epic 3	XWR-1200
Type	Wireless router	Wireless router
Minimum Router Firmware Requirement	6.3.0 or newer	6.3.0 or newer

XWR-1200

WHAT THIS PRODUCT DOES:

Featuring high performance 802.11ac 2x2 MIMO technology, the XWR-1200 is an affordable option for delivering an excellent Wi-Fi experience. Plus, it has a built-in wireless controller with Luxul's exclusive Roam Assist™ capability—allowing you to easily add up to two more wireless APs for a seamless whole-home Wi-Fi experience.

- ▶ Adds Powerful Routing and Wi-Fi Coverage to Homes or Small Businesses
- ▶ Easily Expands Wi-Fi Network with up to 2 Additional APs
- ▶ Enables VPN Remote Access to the Network
- ▶ Allows Secure Guest Networking

FEATURES:

- ▶ Seamless Roaming with Luxul Roam Assist™
- ▶ 2x2 MIMO
- ▶ High Power for Extended Signal Range
- ▶ Wireless Data Transfers of up to 1200Mbps
- ▶ Concurrent Dual-Band Wireless AC
- ▶ 5GHz Beamforming
- ▶ Virtual Private Network (VPN)
- ▶ Secure Guest Networking
- ▶ Virtual Local Area Network (VLAN) Support
- ▶ Quality of Service (QoS)
- ▶ Network Security and Firewall
- ▶ 1 WAN and 4 LAN Gigabit Ports
- ▶ USB 2.0 Port
- ▶ Three Year Limited Warranty

Dual-Band Wireless AC1200 Gigabit Router



XWR-1200 TECHNICAL SPECIFICATIONS

Hardware Features

Standards Compliance	2.4GHz: IEEE802.11n, IEEE802.11g, IEEE 802.11b; 5.xGHz: IEEE 802.11n, IEEE 802.11a; 802.11ac
Interface	▶ One 10/100/1000M WAN Port ▶ Four 10/100/1000M LAN Ports ▶ One USB 2.0 Port
Antenna	Two Dual-Band Detachable Omni-Directional Antennas
Button	Power Button/Reset Button
Power	Input: 12V/2A DC Power Jack
Power Consumption	18W Max
Environmental Temperatures	0-40c
Dimensions LxWxH in. (mm)	8.1"x5.6"x1.5" (206x142x38)
LEDs	Power, SYS, USB, WAN, LAN (4), 5GHz, 2.4GHz

Wireless and Other Features

Wireless Speed	▶ 2.4GHz: 300Mbps; ▶ 5GHz: 866Mbps.
Frequency	Concurrent 2.4GHz and 5GHz
Wireless Security	WPA-PSK/WPA2-PSK, WPA/WPA2
Operating Modes	Wireless Router, Wireless Controller
Other Functions and Features	▶ Quality of Service (QoS) ▶ Guest Network Support ▶ VPN Support: PPTP, L2TP, IPSEC ▶ Port Forwarding ▶ MAC Address Cloning ▶ DHCP Server, Client, Address Reservation ▶ Backup & Restore Configurations ▶ Firmware Upgradeable via Browser ▶ Secure Remote Access via VPN
Certifications	CE, FCC, RoHS, IC, RCM

Warranty:

- ▶ 3 Year Limited Warranty

Requirements

- ▶ Suitable Network Devices
- ▶ Ethernet Cable
- ▶ Internet Connection to View Documentation

Package Contents

- ▶ One: XWR-1200 Dual-Band Wireless AC1200 Gigabit Router
- ▶ One: Ethernet Cable
- ▶ One: Power Adapter
- ▶ One: Quick Install Guide
- ▶ Two: Dual-Band Omni-Directional Antennas

All references to speed are for comparison purposes only. Product specifications, size and shape are subject to change without notice, and actual product appearance may differ from that depicted herein.



XWR-1200

Release Firmware Version 6.7.1 - Recommended Update

Note: It is NOT recommended to update the firmware wirelessly as damage to the router may occur.

Enhancements:

- Fixes static leases table sorting
- Minor UI improvements and fixes

Known Limitations:

- For known limitations, please see "Known Limitations" notes under previous firmware version

Release Firmware Version 6.6.0

Note: It is NOT recommended to update the firmware wirelessly as damage to the router may occur.

Enhancements:

- You will now be required to change the default admin password upon first login. The new password cannot be the existing default password. This is to comply with new security laws for California & Oregon that go into effect January 1, 2020
- When router is in a factory default state, the WAN port will be disabled until the admin password has been changed (see above)
- On first time setup or after factory default the wireless network is now secured with the following password settings:
 - Passphrase = "luxulwifi"
 - Encryption = WPA2
- Minor UI updates and improvements

Known Limitations:

- When using Safari on macOS, in some cases when changing the admin password you are not redirected to a new login screen.

Solution: Close the current tab/browser, open a new tab/browser session and browse to the new IP address of the device. This fixes the issue and will allow you to move forward.

Release Firmware Version 6.5.1

Note: It is NOT recommended to update the firmware wirelessly as damage to the router may occur.

Enhancements:

- Update to the Router Limits agent allowing for bandwidth monitoring & speed tests
- Some UI tables were enhanced with inline editing functionality
- Minor UI bug fixes

Downloads

Current Version:

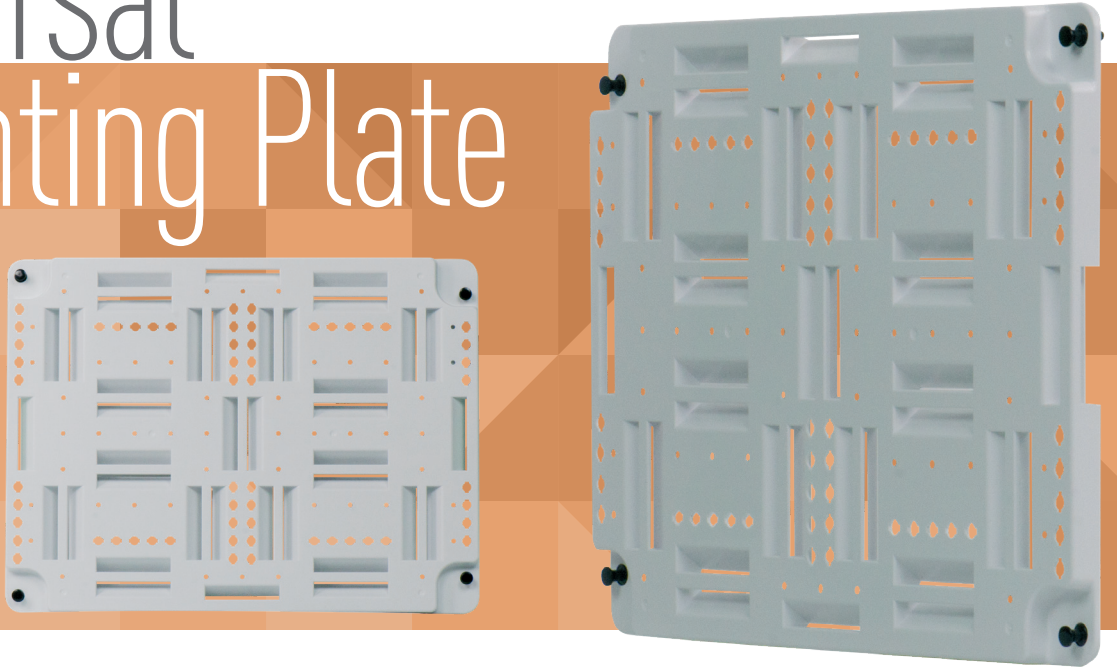
- [Firmware Version 6.7.1](#)

Previous Version:

- [Firmware Version 6.6.0](#)
- [Firmware Version 6.5.1](#)
- [Firmware Version 6.4.2](#)
- [Firmware Version 6.3.1](#)
- [Firmware Version 6.0.1](#)
- [Firmware Version 6.0.0](#)
- [Firmware Version 5.0.2.2](#)
- [Firmware Version 5.0.2](#)
- [Firmware Version 5.0.1](#)

Universal Mounting Plate

AC1040

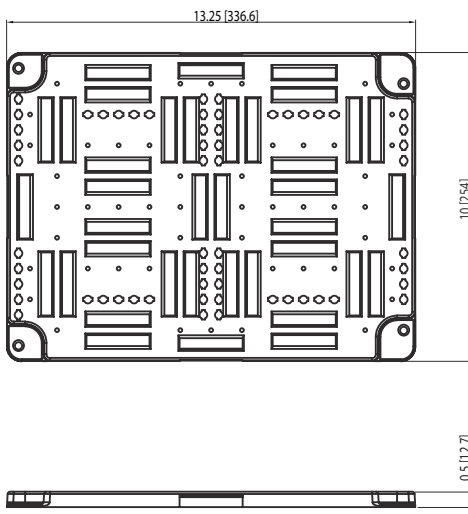


The Universal Mounting Plate is constructed of Wi-Fi transparent ABS Plastic and designed to securely mount a variety of 3rd party devices into the On-Q plastic or metal structured wiring enclosure. It contains vertical and horizontal lancing locations that can be utilized with the 4 feet of included Velcro to strap down large devices like

an ISP Modem / Router. Screw holes are strategically placed throughout for affixing devices like a fiber optic network unit (ONU), cable amplifier or cable splitter. When paired with a Wi-Fi transparent On-Q Plastic Enclosure, wireless devices can easily be secured inside the enclosure without compromising wireless performance.

FEATURES & BENEFITS

- Allows 3rd party wired and wireless devices to be secured within structured wiring enclosure
- Vertical and horizontal lancing locations provide a variety of mounting options
- Strategically placed screw holes allow devices to be securely affixed within enclosure
- Universal mounting holes accept 3rd party modules to maximize compatibility
- Includes (4) plungers and grommets and 4 feet of velcro strapping
- Constructed of durable Wi-Fi transparent ABS Plastic





Centralized Distribution for Wired & Wireless Low Voltage Systems

20": ENP2050, ENP2060, ENP2060-5, ENP2080, ENP2080-5

30": ENP3050, ENP3060, ENP3060-5, ENP3080, ENP3080-5

42": ENP4250, ENP4260, ENP4260-5, ENP4280, ENP4280-5

Trim Rings: ENP2001, ENP3001, ENP4201

Accessories: AC1040, AC1041, AC1035-20

This enclosure secures both wired structured wiring systems and wireless networking equipment in a professional, out-of-sight installation.

Order as a complete assembly containing the enclosure and hinged door, a-la-carte, or in bulk to efficiently meet the requirements of your project

Enclosures: Features & Benefits

- **Wireless Transparent Material** – UL-rated ABS plastic allows wireless devices such as access points to secure in the cabinet without degrading network performance.
- **Stackable** – Enclosures and doors are each neatly stackable to efficiently ship and warehouse.
- **Surface or Flush Mounting** – Mounts flush to the stud bay with staggered tabs that allow side-by-side installations of multiple enclosures.
- **UL Rated** – Meets or exceeds the standards of UL Standard 2416. Specified for non-fire rated walls.
- **Universal Mounting Grid** – Compatible with video, voice and data distribution modules from multiple manufacturers. Ask us for our up-to-date compatibility list.
- **Extensive Venting** – Provides superior heat dispersion for powered devices mounted in the enclosure.
- **Extra Depth** – Protruded door adds 1.2" (30mm) of enclosure depth for compatibility with more third party devices such as uninterruptable power supplies (UPS).
- **Conceals Drywall Cutout** – Extended door circumference conceals the drywall cutout for a professional finish.
- **Layered Latch** – Holds the door shut and flush to the drywall without the need of a lock. Locking can be accommodated with the provided screw holes.



Enclosure includes two electrical knockouts on the bottom and five 2" (51mm) cable knockouts on top. 2" rubber grommets are available as an accessory item.

Compliance

- UL 985, Household Fire-Warning System Units. ULC-S545, Residential Fire Warning System Control Units
- UL 1023, Household Burglar-Alarm System Units. CAN/ULC/ORD-C1023, Household Burglar Alarm System Units
- UL 2416, Audio/Video, Information and Communication Technology Equipment Cabinet, Enclosure and Rack Systems
- UL60950-1 & CAN/CSA C22.2 No. 60950-01-07, Information Technology Equipment, Including Electrical Business Equipment
- RoHS Compliant

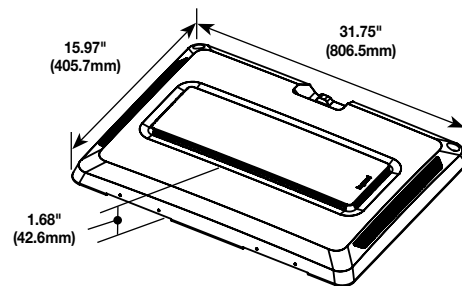
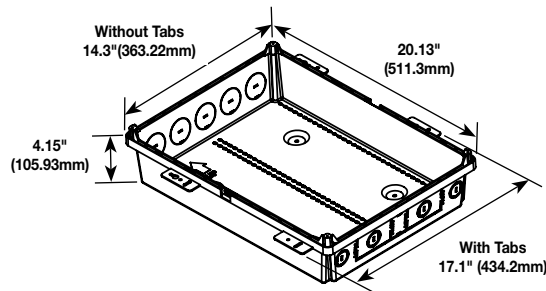
Technical Information

Enclosure Specifications

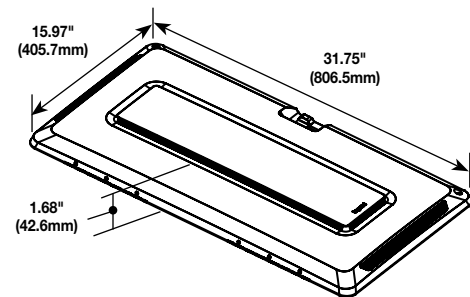
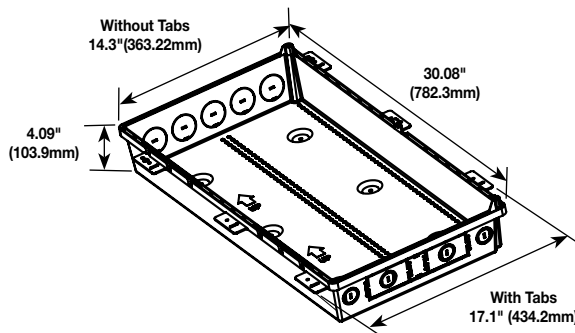
	20" Enclosure	30" Enclosure	42" Enclosure
Material	ABS Plastic	ABS Plastic	ABS Plastic
Color	White (Paintable*)	White (Paintable*)	White (Paintable*)
Specified Temperature	32°F - 122°F, 0°C - 50°C	32°F - 122°F, 0°C - 50°C	32°F - 122°F, 0°C - 50°C
Unit Weight	4.5 Lbs 2.04kg	6.17 Lbs 2.8kg (ENP3050)	8.64 Lbs 3.2kg (ENP4250)
Shipping Weight	6.5 Lbs 2.95kg	8.7 Lbs 3.95kg (ENP3050)	12.2 Lbs 5.5 kg (ENP4250)
Paintable*	Rust-Oleum Paint for Plastic or equivalent	Rust-Oleum Paint for Plastic or equivalent	Rust-Oleum Paint for Plastic or equivalent

Dimensions – Enclosures

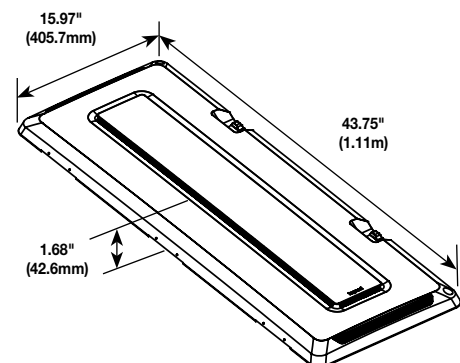
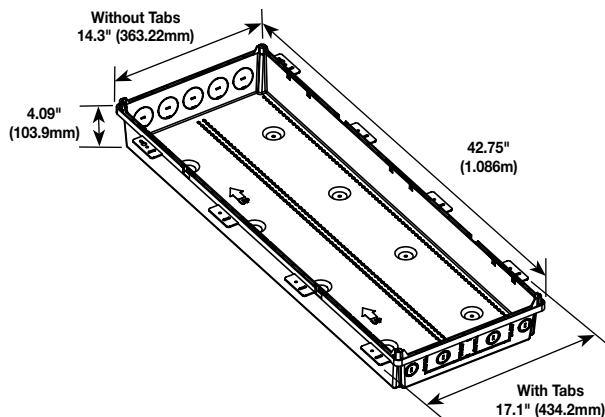
20" Enclosure



30" Enclosure



42" Enclosure



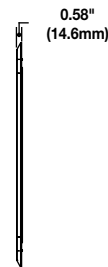
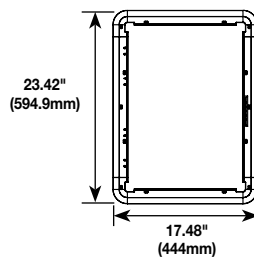
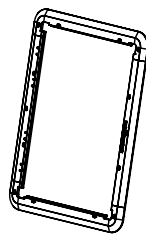
Technical Information

Trim Rings Specifications

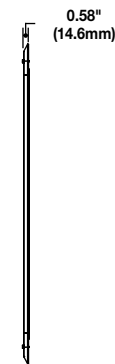
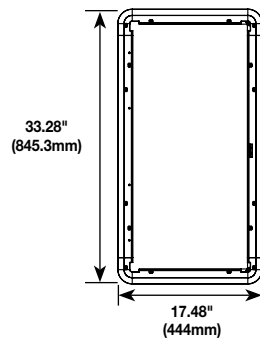
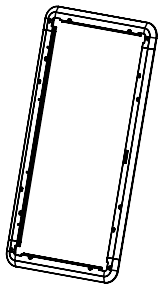
	20" Trim Ring	30" Trim Ring	40" Trim Ring
Material	ABS Plastic	ABS Plastic	ABS Plastic
Color	White (Paintable*)	White (Paintable*)	White (Paintable*)
Specified Temperature	32°F - 122°F, 0°C - 50°C	32°F - 122°F, 0°C - 50°C	32°F - 122°F, 0°C - 50°C
Unit Weight	0.5 Lbs 0.227 kg	1 Lb 0.454kg	1 Lb 0.454kg
Shipping Weight	0.5 Lbs 0.227 kg	1 Lb 0.454kg	1 Lb 0.454kg
Paintable*	Rust-Oleum Paint for Plastic or equivalent	Rust-Oleum Paint for Plastic or equivalent	Rust-Oleum Paint for Plastic or equivalent

Dimensions – Trim Rings

ENP2001 – Plastic 20" Trim Ring



ENP3001 – Plastic 30" Trim Ring



ENP4201 – Plastic 42" Trim Ring

